



Control Panel MAX
Product Specifications

Version update record

num	Updated	update content	version
1	2022-07-05	Create documentation	V1.0.0
2	2022-07-27	1、 Update specifications 2、 Update software features 3、 Supplemental installation information	V1.1.0
3	2022-07-28	1. Modify the load information	V1.1.1
4	2023-02-10	1、 Modify the CPU information	V1.1.2
5	2023-07-10	1、 Modify the Relay spec.	V1.1.3

Contents

1. Product Description	1
2. Features	1
3. Product Specifications	2
3.1 Product function diagram	2
3.2 Basic product information	3
3.2 Introduction to Hardware Specifications	4
3.3 Software function introduction	8
4. Installation Guide	11
4.1 Installation preparation	11
4.2 Installation Instructions	11
5. packing list	14

1. Product Description

This product is suitable for indoor public spaces, and integrates a multi-functional central control that integrates control, interconnection, entertainment, and security.

Compatible with a variety of product forms, it adopts standard 86 in-wall base design or desktop base, and is used with wall brackets to fix the central control host panel and hang it on the wall. It mainly provides gateway function, scene panel, device video interconnection, music playback and other functions. Users can control and manage different types of smart devices under the account through physical buttons, screen, voice and other interactive methods.

2. Features

1. Zigbee & Bluetooth Gateway

Zigbee and Bluetooth independent chips, integrate Zigbee and Bluetooth gateway functions, support Bluetooth BLE & BLE mesh sub-devices, and have edge capabilities for localized control.

2. Device control

Fully compatible device access and diversified control forms are compatible with almost all Tuya ecological devices.

3. Scene control

Custom physical buttons, screen interaction, and voice interaction can trigger

scenes to meet different needs in life.

4. iShare™ Technology

In-depth customization of the interconnection center, support for IPC preview monitoring, video and voice calls, and direct interconnection between central control and central control, and central control and APP.

5. T-Control™ Technology

product comes with 4 custom buttons to support custom associated devices and scenes ; it has also developed a shortcut panel for commonly used devices , with multiple controls on one screen , allowing you to enjoy intelligence .

6. Rich interface

A variety of base forms are supported, the standard base uses zero-fire wire wiring, supports dual relays, RJ45 network port, RS485, etc.

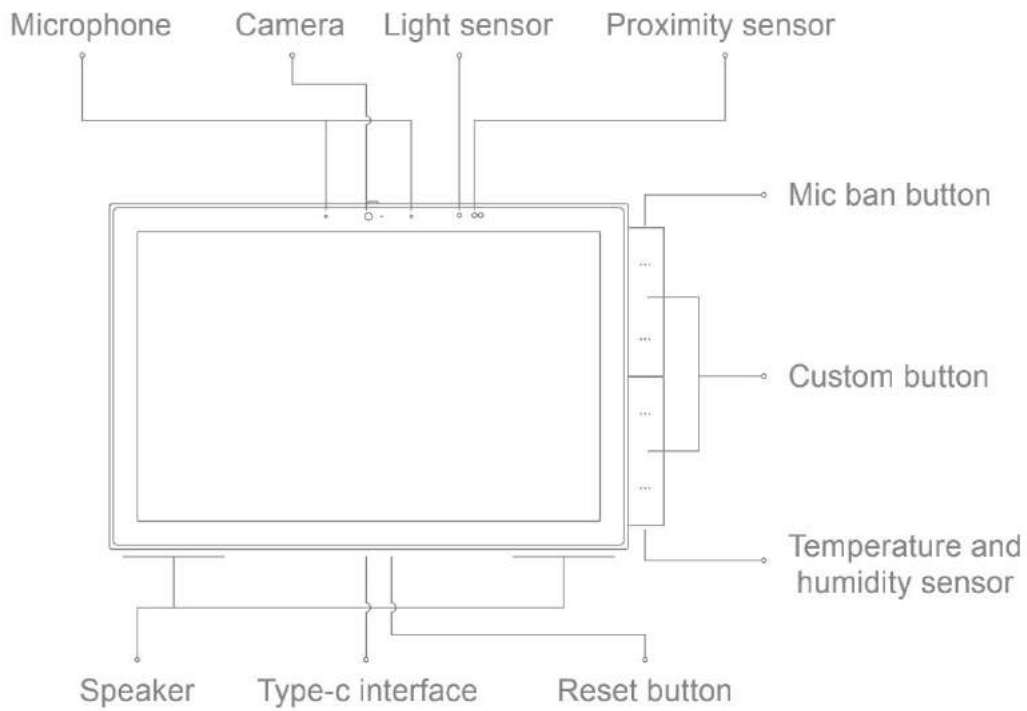
7. Building intercom

Product has a built-in building intercom interface , which can be connected to the video intercom system , elevator control , access control , and property information ;

3. Product Specifications

3.1 Product function diagram

Control Panel MAX



3.2 Basic product information

Basic Information	
product name	Control Panel MAX
Image (host part)	
enter	100–240VAC , 50/60Hz
wireless protocol	Wi-Fi, Bluetooth, Zigbee
display screen	1920x1200 FHD 10.1-inch touch screen

Operating temperature	0~40°C
Working humidity	5%—90%RH (non-condensing)
size	259×161×13mm (without base)
	259×161×37mm (including base)

3.2 Introduction to Hardware Specifications

Hardware Specifications			
Chip solution	main control board	Manufacturer	Rockchip
		Main chip model	RK3566
		Main chip frequency	1.8GHz
		Main chip architecture	Quad-core ARM Cortex™-A55
	Strong current board	Manufacturer	Silicon Power
		model	SP2638F
	Wi-Fi	Manufacturer	Realtek

		model	RTL8723
		type	Upstream 2.4GHz
	Zigbee	Manufacturer	Tuya Smart
		model	ZS13S
		type	Downlink Zigbee
	Bluetooth	Manufacturer	Tuya Smart
		model	ZS13S
		type	Downlink BLE/BLE-mesh
	storage	RAM	2GB
		ROM	8GB
interface	powered by	Strong power input	100 ~ 240 VAC(± 10%), 50/60Hz +-3Hz neutral wire
		Weak current input	12V 1A type-C
	Ethernet	Specification	1*100M RJ45 (EU not included)
		type	up



Screen	size	10.1 inches
	Resolution	1920×1200
	type	Multi-touch capacitive screen, anti-fingerprint coating
Camera	pixel	500 million pixels
	privacy protection	With physical occlusion paddle, camera
microphone	number	2 Mike
speaker	number	2 speakers
	single power	1.8W
antenna	number	3
	type	Built-in shell antenna
Temperature and humidity	Interface Type	I2C interface
	Sensing range	0-50°C 0-100%RH
light sensing	Interface Type	I2C interface
	output	16 -bit digital output
proximity	field of	25°

	sensing (ToF)	view	
		Sensing distance	0.02–1m
Base scheme	Dual base solution (6pin bottom box)	enter	AC 100–240V 50/60HZ
		output	DC 12V 1A (rated)
		circuit breaker	100–240V 50/60HZ 10A (two relays)
		single load	200VA MAX
		total load	400VA MAX
	Dual base solution (10pin bottom box)	Network Interface	RJ45 network portx1 (EU not included)
		Communic ation Interface	485 interface × 1 (EU not included)
	Single base solution (12pin bottom box)	enter	AC 100–240V 50/60HZ
		output	DC 12V 1A (rated)
		circuit breaker	100–240V 50/60HZ 10A (two relays) (EU not included)
		single load	200 VA MAX
		total load	400 VA MAX
		Network	RJ45 network portx1

		Interface	(EU not included)
		Communication Interface	RS485 interface × 1 (EU not included)



3.3 Software function introduction

Software function		
operating system		Android 11
Login Method		Scan code to authorize login
Central Control OS Interaction & Home Page	global interaction	Pull down notification control center
		global return
		button label
		Status notification toast
	Navigation Bar	function module switch
home page	weather display	

		Device and scene custom components
Device scene control function		<p>Main page position sorting addition and deletion management</p> <p>Physical buttons to control devices & scenes</p> <p>Support all Tuya ecological equipment control , including group , infrared</p> <p>Support one-click execution</p> <p>Support lighting scene</p> <p>Support device sorting</p> <p>Support LAN control device</p> <p>Support LAN control one-key execution scenarios</p> <p>Device management</p>
Zigbee & Bluetooth gateway function		<p>128+ sub-devices supporting Zigbee communication type network access (lab environment)</p> <p>Support 128+ sub-devices of BLE/SigMesh type to access the network (lab environment)</p> <p>OTA support</p> <p>Support LAN device and scene control</p>

		Support local linkage across gateways and communication protocols
		Support Bluetooth device pairing, file transfer
		Support Bluetooth audio output
voice	voice control	up offline
		online control
		voice scene
		voice response
		voice conversation
Features _	T-Control TM	4 custom physical buttons , associated with any device and scene
		Quick panel device control , multi-control on one screen
	iShare TM	Support IPC device preview, pull stream view
		Support intercom with IPC
		Support local camera image streaming, view real-time video on the APP side
		Audio and video interconnect calls with other devices
		music playlist
		voice search

Featured functions	Building intercom	Support mainstream video intercom manufacturer equipment
		Access control system , can be linked to open the door

4. Installation Guide

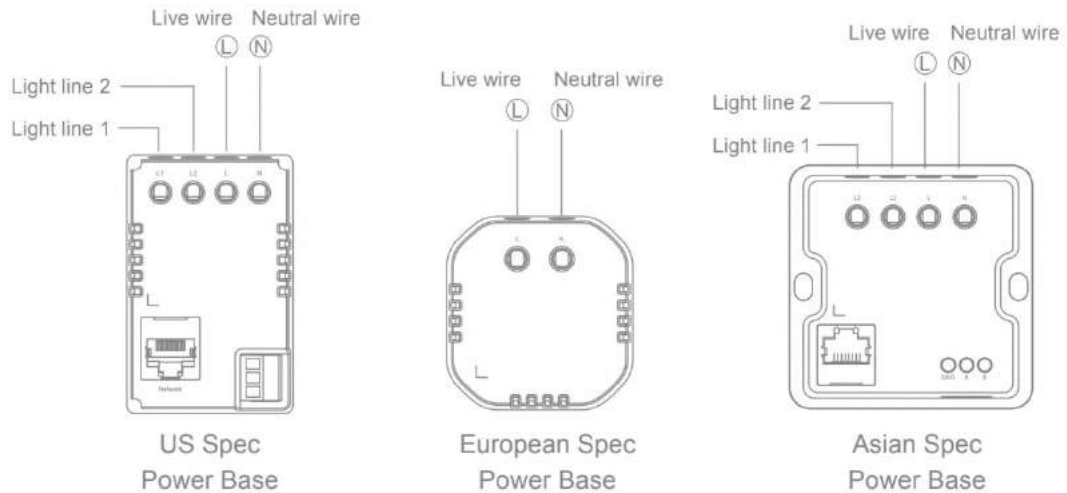
4.1 Installation preparation

- 1) This product is powered by the neutral wire, please arrange the neutral wire in advance;
- 2) This product is connected to the network through Wi-Fi or Ethernet, please arrange the WiFi network or Ethernet cable in advance;
- 3) If you want to use the relay, RS485, security network port of this product, please preset the relevant cables in advance;
- 4) To ensure electrical safety and wireless performance, please use a plastic box that meets the JB/T 8593 standard or a depth of more than 40mm .
- 5) Please bring your own screwdriver, test pen, electrical tape and other tools, please do not operate with electricity.

4.2 Installation Instructions

- 1) Turn off the main power switch, and use a test pen to confirm that the live wire of the cassette is not charged;

2) Connect the base correctly, make sure that the copper wire and the terminal are well released, and there is no exposed wire;



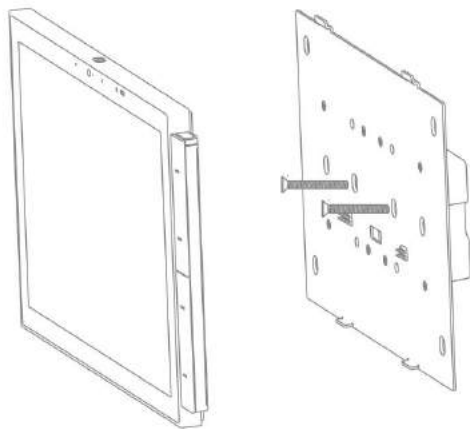
● Please connect according to the actual marking on the product

L: Live wire input

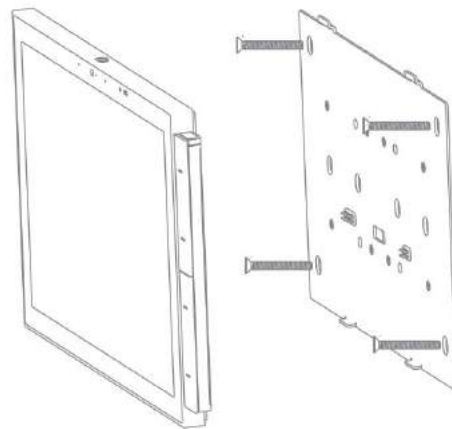
Stripping length 10mm

N: Neutral wire input

3) Make sure the base bracket is complete , drill 4 holes on the wall according to the mounting holes of the fixing bracket, and then plug the expansion pipe into Fix the bracket and the base as a whole on the wall with screws , and check that the wall of the bracket part is firm and flat ;

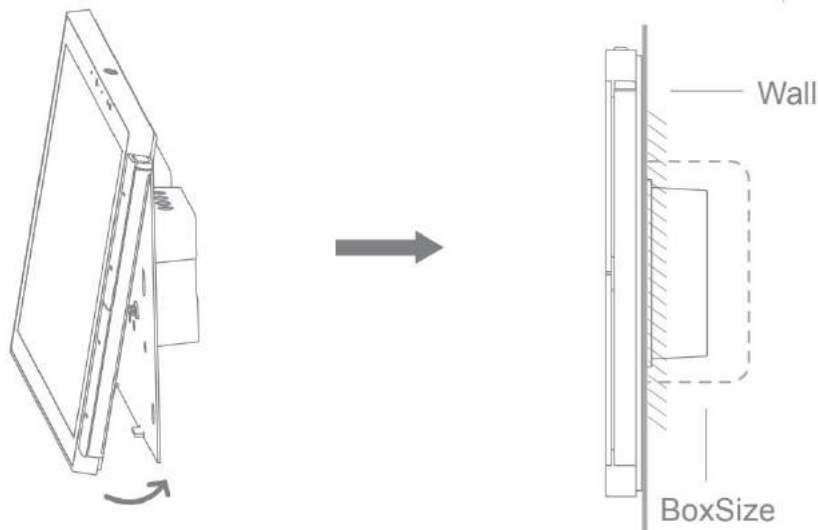


Schematic diagram of locking screw (including power base)



Schematic diagram of locking screw (without power base)

4) Insert the upper part of the central control host into the bracket , and then directly magnetically attract the lower part to the bracket to complete the installation and check whether the buckle is in good condition . When taking it out , just pull it out from both sides **of the lower part of the main unit** .



pay attention

- Do not use force when installing the screws, so as not to cause the bracket to be deformed ;

- When wiring, the stripping length is about 10mm. Adjust the stripping length according to the actual situation to ensure good release and avoid exposed wires ;

5. packing list

- ✓ Smart central control screen MAX x1
- ✓ Wall bracket × 1
- ✓ In-wall base box for strong electricity × 1 (optional)
- ✓ Weak current in-wall base box × 1 (optional)
- ✓ Screw bag × 1
- ✓ Reset pin × 1
- ✓ Product manual x1